

FANUC Robot M-1000iA



Features

FANUC Robot M-1000iA is a large and heavy payload robot with wide motion range and 1000kg payload capacity.

- M-1000iA has a J3 arm which can stand upright above and rotate backwards of the robot. The wide motion range realizes a large operation area including above and behind the robot, therefore M-1000iA can adapt various layout environments.
- M-1000iA has 1000kg payload capacity and a strong wrist. M-1000iA can handle large and heavy workpieces such as battery units of EVs, long building structures, etc. The wrist has IP67-equivalent resistance to environmental conditions (dust and dips) and can be used in harsh environments with confidence.
- Due to a high rigidity design, M-1000iA is available for machining such as drilling.
- Tablet TP, which has a large touch panel and a user-friendly intuitive interface, and traditional iPendant are available as a teaching device.
- iRVision and various intelligent features are available. These enable to build robot systems flexibly.

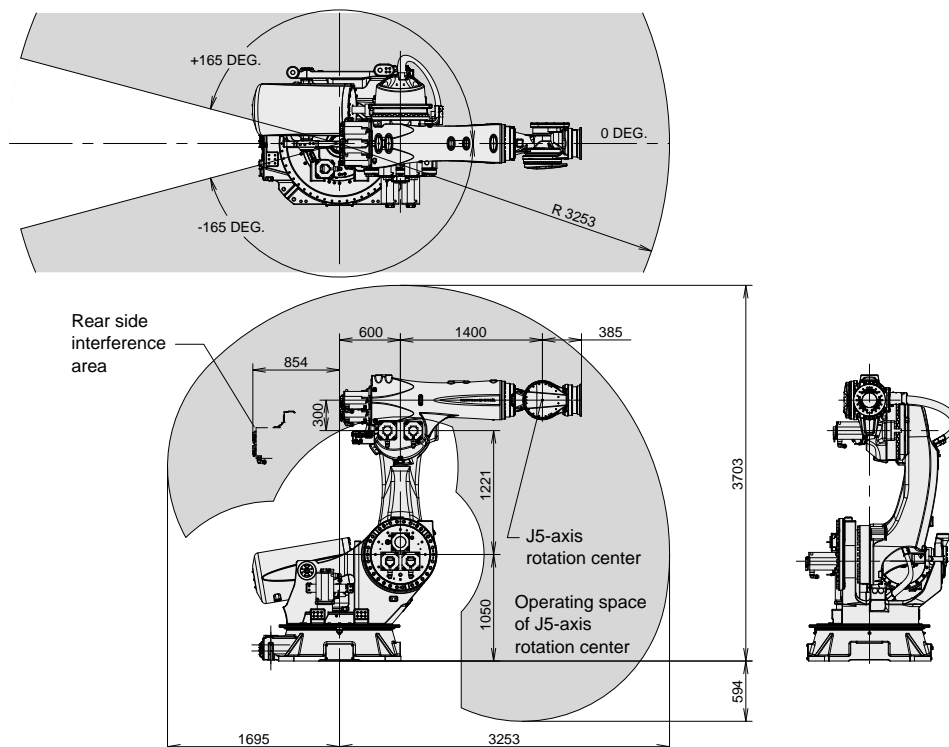
Application Example



Battery Unit Handling

Operating space

M-1000iA



Specifications

Model		M-1000iA	
Type		Articulated Type	
Controlled axes		6 axes (J1, J2, J3, J4, J5, J6)	
Reach		3253 mm	
Installation		Floor	
Motion range (Maximum Speed) Note 1)	J1 axis rotation	330°(60°/s)	5.76 rad (1.05 rad/s)
	J2 axis rotation	145°(50°/s)	2.53 rad (0.87 rad/s)
	J3 axis rotation	260°(50°/s)	4.54 rad (0.87 rad/s)
	J4 axis wrist rotation	720°(70°/s)	12.57 rad (1.22 rad/s)
	J5 axis wrist swing	240°(70°/s)	4.19 rad (1.22 rad/s)
	J6 axis wrist rotation	720°(85°/s)	12.57 rad (1.48 rad/s)
Max. load capacity at wrist		1000 kg	
Max. load capacity at J2 base		550 kg	
Max. load capacity on J3 casing		50 kg	
Allowable load moment at wrist	J4 axis	8800 N·m	898 kgf·m
	J5 axis	8800 N·m	898 kgf·m
	J6 axis	5800 N·m	592 kgf·m
Allowable load inertia at wrist	J4 axis	1750 kg·m ²	17857 kgf·cm·s ²
	J5 axis	1750 kg·m ²	17857 kgf·cm·s ²
	J6 axis	840 kg·m ²	8571 kgf·cm·s ²
Drive method		Electric servo drive by AC servo motor	
Positioning accuracy Note 2)		± 0.10 mm	
Mass Note 3)		5300 kg	
Installation environment		Ambient temperature : 0 to 45°C Ambient humidity : Normally 75 %RH or less (No condensation allowed) Short term (within one month) Max. 95 %RH or less (No condensation allowed) Vibration acceleration : 4.9 m/s ² (0.5G) or less	

Note 1) During short distance motions, the axis speed may not reach the maximum value stated.

Note 2) Compliant with ISO 9283.

Note 3) Without controller.

FANUC CORPORATION

●Headquarters 3580, Shibokusa, Oshino-mura, Minamitsuru-gun
Yamanashi, 401-0597, JAPAN
Phone: (+81)555-84-5555 <https://www.fanuc.co.jp/>

●Overseas Affiliated Companies
 FANUC America Corporation
 FANUC Europe Corporation, S.A.
 SHANGHAI-FANUC Robotics CO., LTD.
 KOREA FANUC CORPORATION
 TAIWAN FANUC CORPORATION
 FANUC INDIA PRIVATE LIMITED
 FANUC SINGAPORE PTE. LTD.
 FANUC THAI LIMITED
 FANUC MECHATRONICS (MALAYSIA) SDN. BHD.
 PT. FANUC INDONESIA
 FANUC OCEANIA PTY. LIMITED
 FANUC SOUTH AFRICA (PROPRIETARY) LIMITED

Phone: (+1)248-377-7000
 Phone: (+352)727777-1
 Phone: (+86)21-5032-7700
 Phone: (+82)55-278-1200
 Phone: (+886)4-2359-0522
 Phone: (+91)80-2852-0057
 Phone: (+65)6567-8566
 Phone: (+66)2-714-6111
 Phone: (+60)3-3082-1222
 Phone: (+62)21-4584-7285
 Phone: (+61)2-8822-4600
 Phone: (+27)11-392-3610

<https://www.fanucamerica.com/>
<https://www.fanuc.eu/>
<https://www.shanghai-fanuc.com.cn/>
<https://www.fkc.co.kr/>
<https://www.fanuctaiwan.com.tw/>
<https://www.fanucindia.com/>
<https://www.fanuc.com/fsp/>
<https://www.fanuc.com/fth/>
<https://www.fanuc.com/fmm/>
<https://www.fanuc.com/fin/>
<https://www.fanucoceania.com.au/>
<https://fanuc.co.za/>

●All specifications are subject to change without notice.
 ●No part of this catalog may be reproduced in any form.
 ●The products in this catalog are controlled based on Japan's 'Foreign Exchange and Foreign Trade Law'. The export from Japan may be subject to an export license by the government of Japan. Further, re-export to another country may be subject to the license of the government of the country from where the product is re-exported. Furthermore, the product may also be controlled by re-export regulations of the United States government. Should you wish to export or re-export these products, please contact FANUC for advice.

© FANUC CORPORATION, 2022
 RM-1000iA(E)-02, 2022.10, Printed in Japan